

LCD Wall Mount Installation Guide

Not Suitable for Plasterboard Walls

**If you have missing parts or need installation assistance, please call the Ross Helpline.
Ross Helpline: 0800 1695560**

Before You Begin

Tools Required

- Phillips Head Screw Driver
- Electric or Portable Drill
- Stud Finder and 1/8" Drill Bit for Drywall Installation
- 5/16" Masonry Bit for Concrete Installation

Warnings

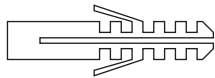
1. Carefully read these instructions before beginning your installation. If you are unsure of any part of this installation, contact a professional installer for assistance.
2. The wall or mounting surface must be capable of supporting the combined weight of the mount and the display; otherwise the structure must be reinforced.
3. Safety gear and proper tools must be used. Failure to do so may result in damage or injury.
4. Follow your display manufacturer's recommendations regarding adequate ventilation and suitable mounting locations. Consult your owner's manual for more information.

Hardware

Check to make sure all hardware has been included with your mount. You should find the following:



(A) Drywall Screw x4



(B) Concrete Anchor x4



(C) M4 x 12 Bolt x6



(D) M4 x 30 Bolt x4



(E) Spacer x4

Installation

Part 1a – Install the Wall Piece (Drywall)

1. Using a high quality stud finder, locate and mark one stud for installing the wall mount.
2. Place the wall piece against the wall over the center of the marked stud and make sure it is level.
3. Mark off the two holes in the center of the mount and place the wall piece aside.
4. Drill the marked holes using an electric drill and 1/8" bit.
5. Replace the wall piece against the wall and secure it using two (2) Drywall Screws (A) from the hardware kit (see Diagram 1a).

Part 1b – Install the Wall Piece (Concrete)

1. Place the wall piece against the wall in the desired location and make sure it is level.
2. Mark off four holes (one at each corner) for securing the mount and place the wall piece aside.
3. Drill the marked holes using an electric drill and 5/16" masonry bit. Remove any excess dust from the holes after drilling.
4. Insert a Concrete Anchor (B) into each hole. A hammer can be used to lightly tap each anchor into place if necessary.
5. Replace the wall piece against the wall and secure it using four (4) Drywall Screws (A) from the hardware kit (see Diagram 1b).

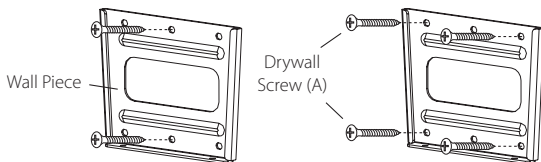


Diagram 1a

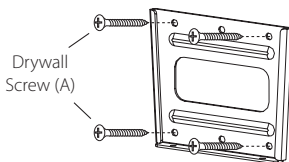


Diagram 1b

Part 2 – Attach the Mount to the Display

1. Determine which hardware to use by examining the back of your display. If your display has a flat back, you will use the M4 x 12 Bolts (C). If your display has a curved or recessed back, you will use the M4 x 30 Bolts (D) along with the Spacers (E).

Part 2 (continued)

2. Attach the mount to the back of your display (see Diagram 2) using the holes that match the pattern on the back of your display.

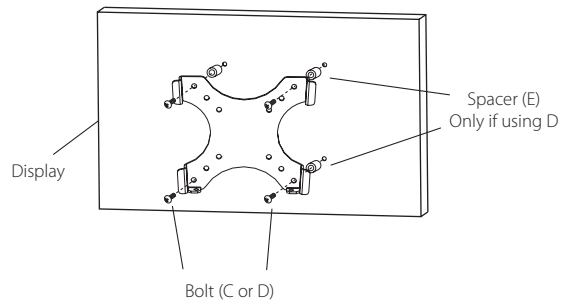


Diagram 2

Part 3 – Final Installation and Operation

1. Slide the mount with your LCD attached into the wall piece (see Diagram 3a).
2. For additional security, use the two (2) M4 x 8 Bolts (F) to hold the two plates together (see Diagram 3b).

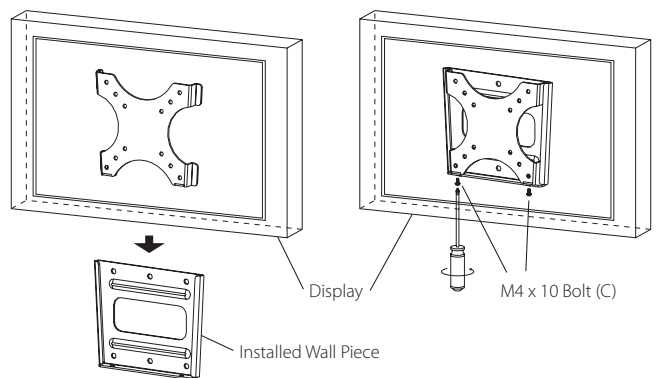


Diagram 3a

Diagram 3b